

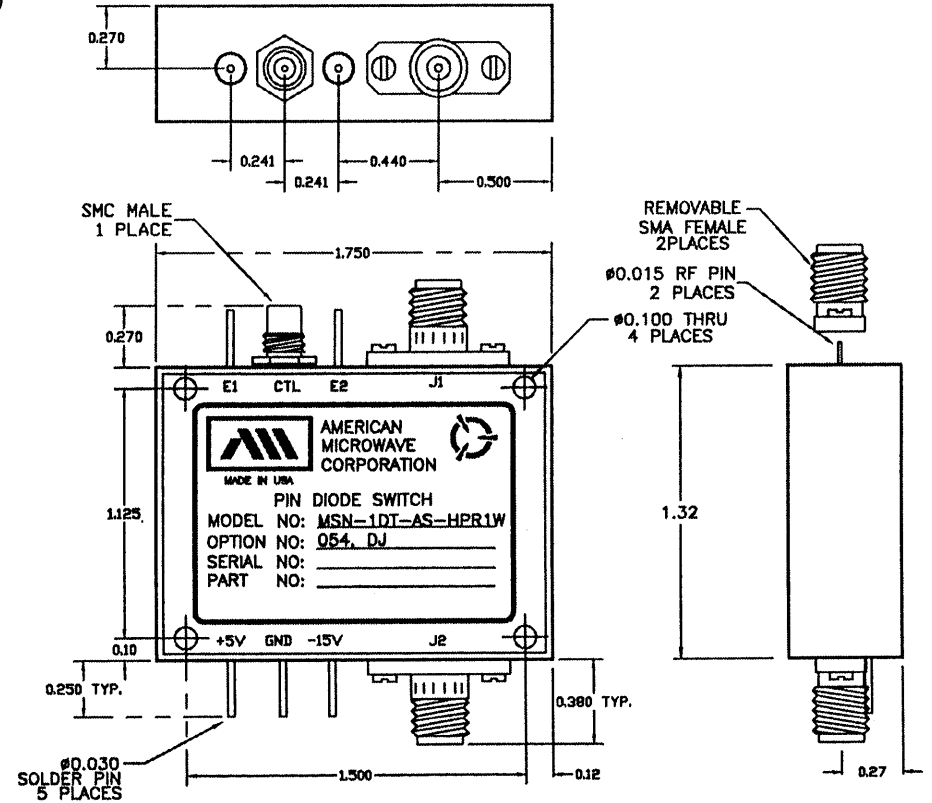
DESCRIPTION:

AMC MODEL MSN-1DT-AS-HPR1W OPTION 054, DJ IS A SINGLE POLE SINGLE THROW, ABSORPTIVE /NON-REFLECTIVE SWITCH MODULE WITH THE CAPABILITY OF ADJUSTING THE RISE TIME IN FOUR DISCRETE STEPS OF 25 nS ±10 nS, 50 nS ±10 nS, 75 nS ±10 nS AND 100 nS ±15 nS THROUGH A 2 BIT DECODER VIA SOLDER PINS AND WITH LOW INSERTION LOSS, HIGH ISOLATION, INTEGRAL TTL DRIVER AND POWER HANDLING OF 1 WATT CW.

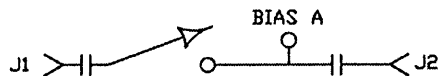
SPECIFICATIONS:

- FREQUENCY: 0.5 GHz TO 4 GHz
- INSERTION LOSS: TO BE LESS THAN 3.0 dB
- ISOLATION: 85 dB MINIMUM, 90 dB TYPICAL
- VSWR: 2.0:1 MAXIMUM
- SPEED: ADJUSTABLE RISE TIME THROUGH A 2 BIT INTERNAL DECODER VIA SOLDER PINS. RISE TIME WILL BE IN FOUR DISCRETE STEPS.
 25 nS ±10 nS
 50 nS ±10 nS
 75 nS ±10 nS
 100 nS ±15 nS
- POWER HANDLING: 1WATT CW, 2 WATTS (SURVIVAL).
- POWER SUPPLY: +5V ● 150 mA MAX.
 -15V ● 100 mA MAX
- POWER SUPPLY CONNECTION: SOLDER PINS
- CONTROL CONNECTOR: SMC COAXIAL CONNECTOR FOR ON/OFF TTL CONTROL
- SIZE: 1.75" x 1.32" x 0.50"
- WEIGHT: 1.80 OUNCE TYPICAL

ZONE		REV.	DESCRIPTION	DATE	APPROVED
		-	ORIGINAL JOB # 80357-1,2E, 909165	01/19/00	



BLOCK DIAGRAM



NOTE:
DT=WITH DRIVER, NON-REFLECTIVE/ABSORPTIVE

ENVIRONMENTAL RATINGS:

- TEMPERATURE: -55°C TO +85°C (OPERATING)
 -65°C TO +125°C (STORAGE)
- HUMIDITY: MIL-STD-202F, METHOD 103B COND. B
- SHOCK: MIL-STD-202F, METHOD 213B COND. B
- VIBRATION: MIL-STD-202F, METHOD 204D COND. B
- ALTITUDE: MIL-STD-202F, METHOD 105C COND. B
- TEMPERATURE CYCLE: MIL-STD-202F, METHOD 107D COND. A

ALL DIMENSIONS ARE IN INCHES
 TOLERANCES:
 X.XX ±0.020
 X.XXX ±0.010

NOTE: THE ABOVE SPECIFICATIONS ARE SUBJECT TO CHANGE OR REVISION

PART NO.		AMERICAN MICROWAVE CORPORATION FREDERICK, MARYLAND	
APPROVALS	DATE	TITLE OUTLINE DRAWING	
DRAWN WSP, R.R.A	01/19/00	MSN-1DT-AS-HPR1W 054, DJ NON-REFLECTIVE/ABSORPTIVE	
CHECKED WSP	1/20/00	SOLID STATE SWITCH WITH VARIABLE RISE TIME	
ISSUED R.A.	1/20/00	SIZE A	FSCM NO. 60483
		DWG NO. 100-3447-5	REV. -
SCALE		SHEET 1 of 3	